

加工精度

E77GR-4(E)

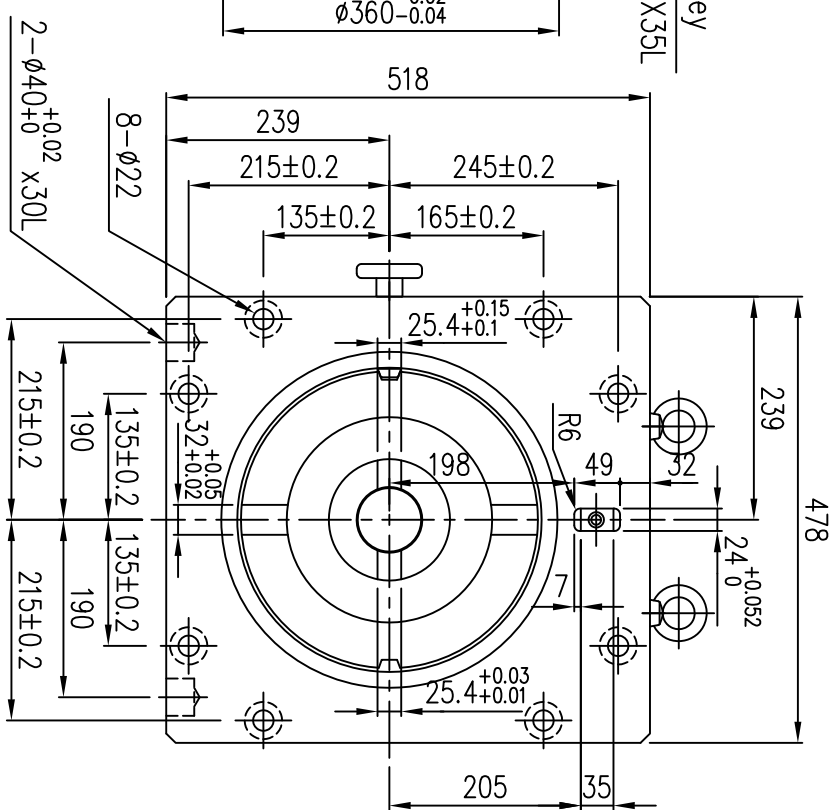
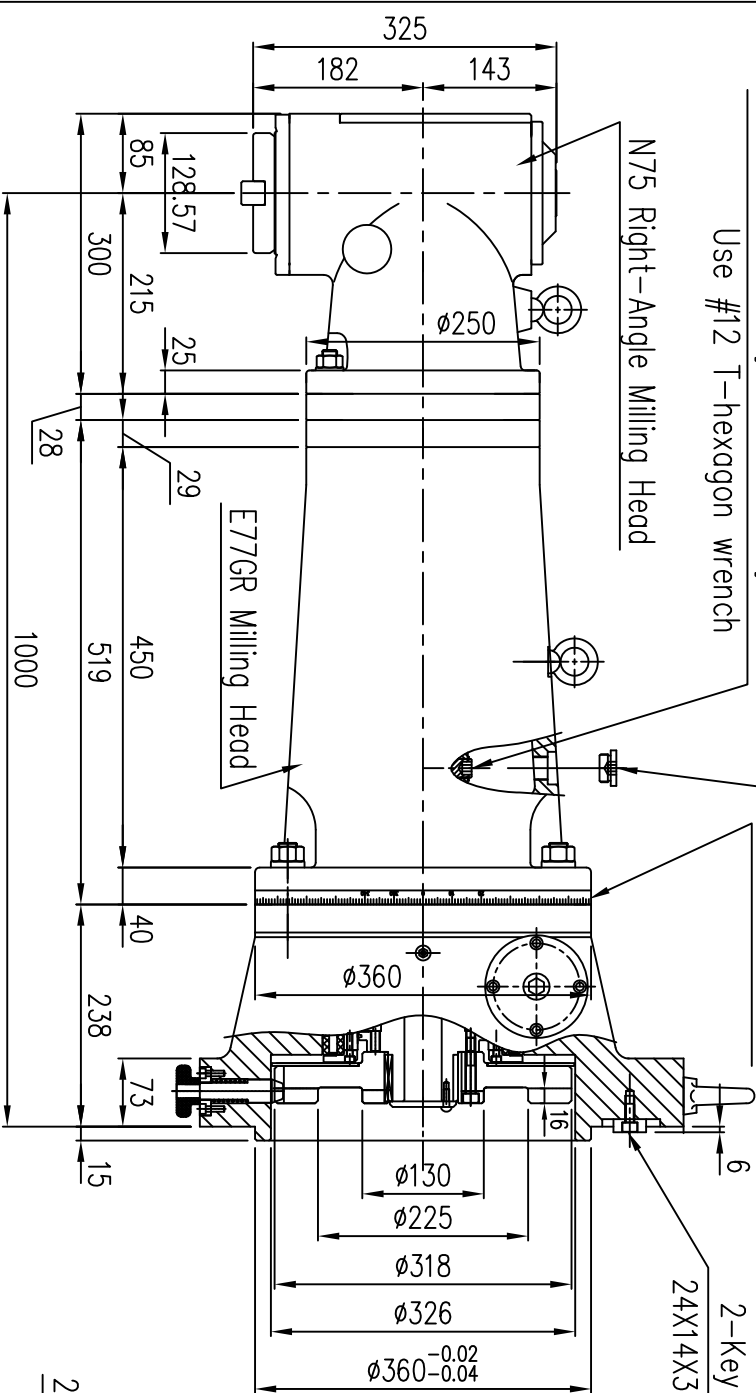
- Manually Lock Cutter
- Manually Rotate Angular

The disassembly and assembly hole of the cutter is covered dustproofly

Use #12 T-hexagon wrench

Cutter disassembly and assembly device

Use #12 T-hexagon wrench



Pull Stud	BT(M24X3.0)
Select	NT(M24X3.0) NT(1")

Accessories :
Screw M20XP2.5X110L X8

E77GR+N75 STANDARD	
Max Cutter Dia	φ150(6")
Reduction Ratio	1 : 1
Max Torque	1000 N.m
Max Power	38kw
Max Revolving	1000RPM
Main Spindle Steering	Righ Turn