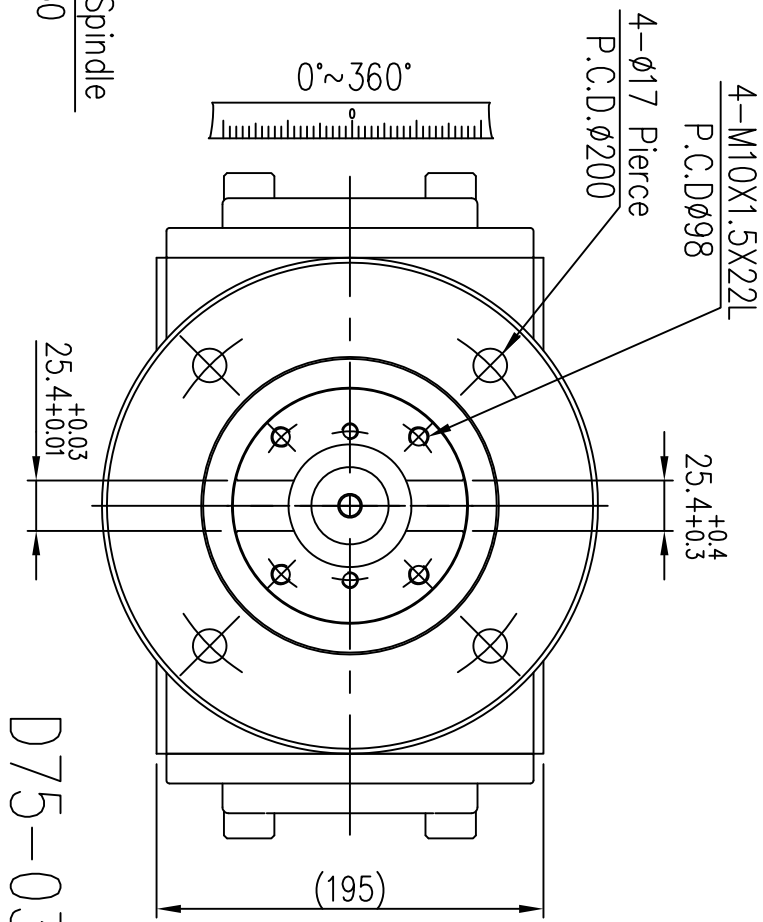
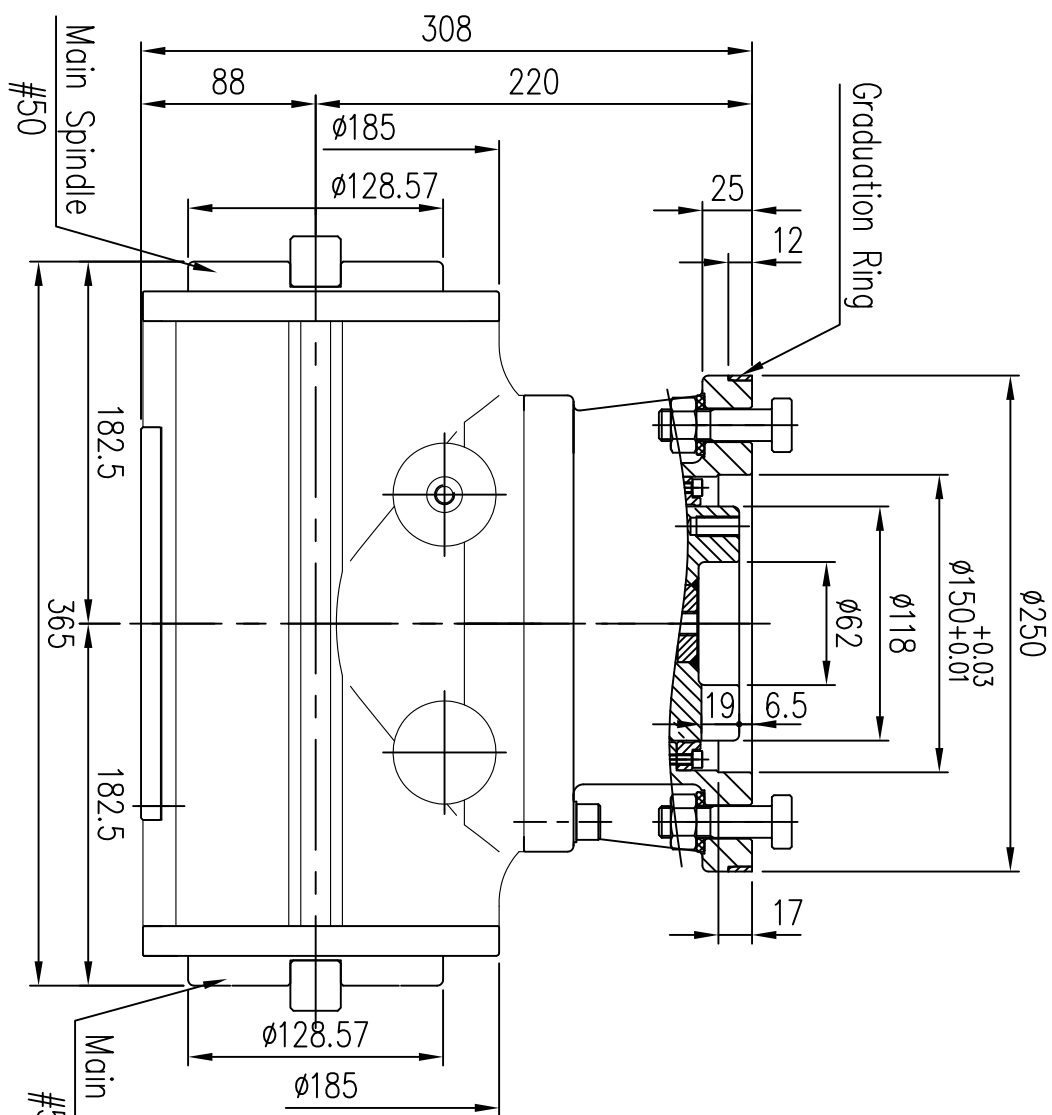


加工精度

Accessories : T-Screw
M16XP2.0X67L X4



D75-03(E)

Max Cutter Dia	φ150(6")
Reduction Ratio	1 : 1
Max Torque	750N.m
Max Power	25kw
Max Revolving	800rpm
Main Spindle Steering	Right Turn
Pull Stud Select	BT(M24X3.0) NT(M24X3.0) NT(1")