

加工精度

$\phi 300 \pm 0.05$

$\phi 180^{+0.03}_{+0.01}$

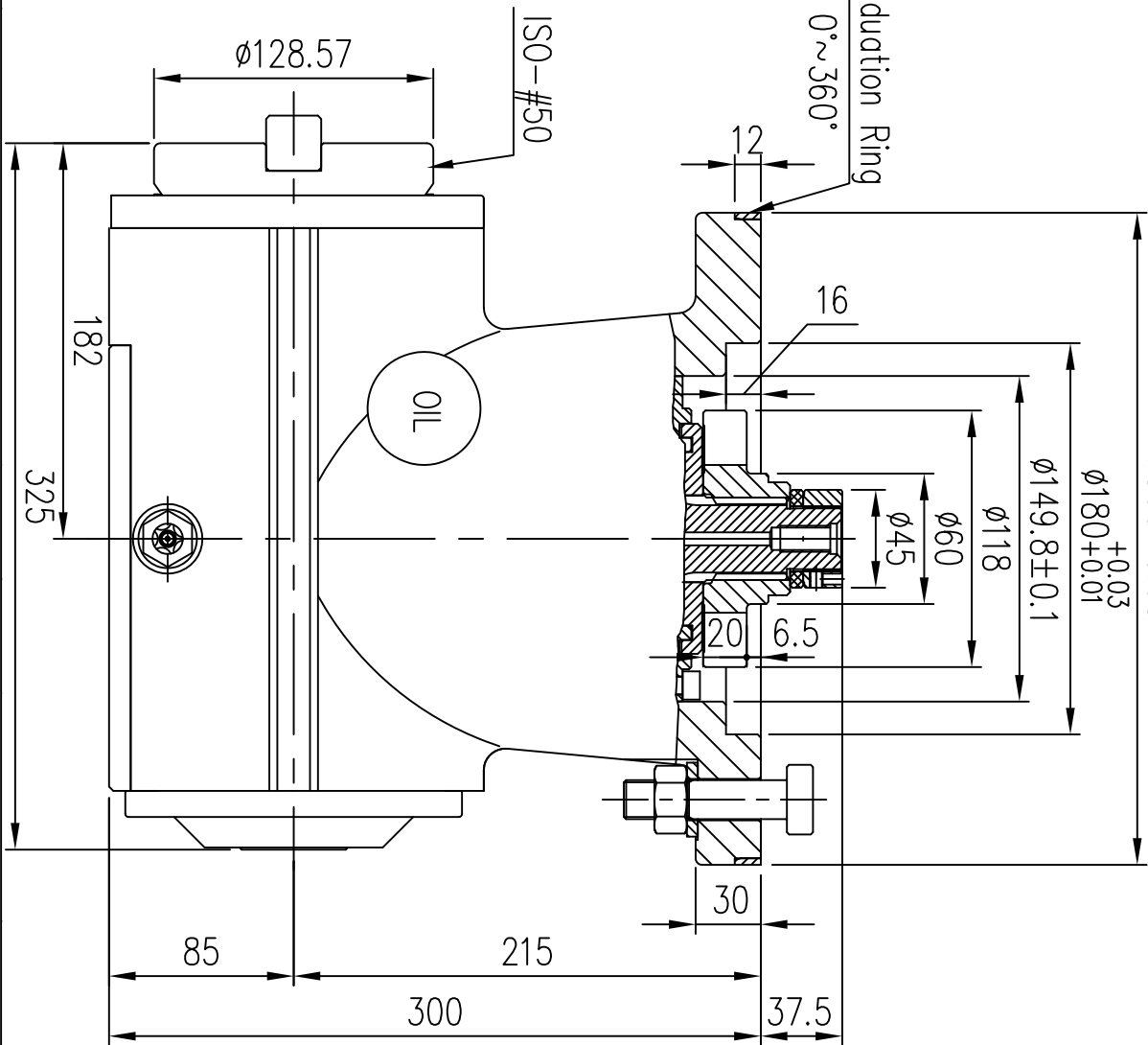
$\phi 149.8 \pm 0.1$

$\phi 118$

$\phi 60$

$\phi 45$

Graduation Ring
 $0^\circ \sim 360^\circ$



Pull Stud	BT(M24X3.0)
Select	NT(M24X3.0)
	NT(1")

Max Cutter Dia	$\phi 150(6")$
Reduction Ratio	1 : 1
Max Torque	1200N.m
Max Power	38kw
Max Revolving	2000rpm
Spindle Steering	Right Turn
Accessories	T-Screw x6 M18XP2.5X87L

