

加工精度

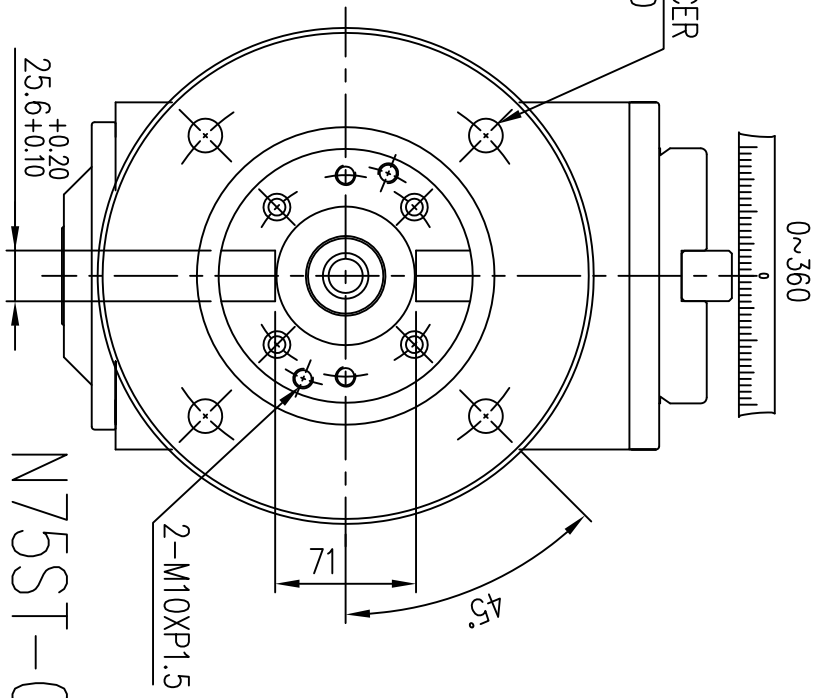
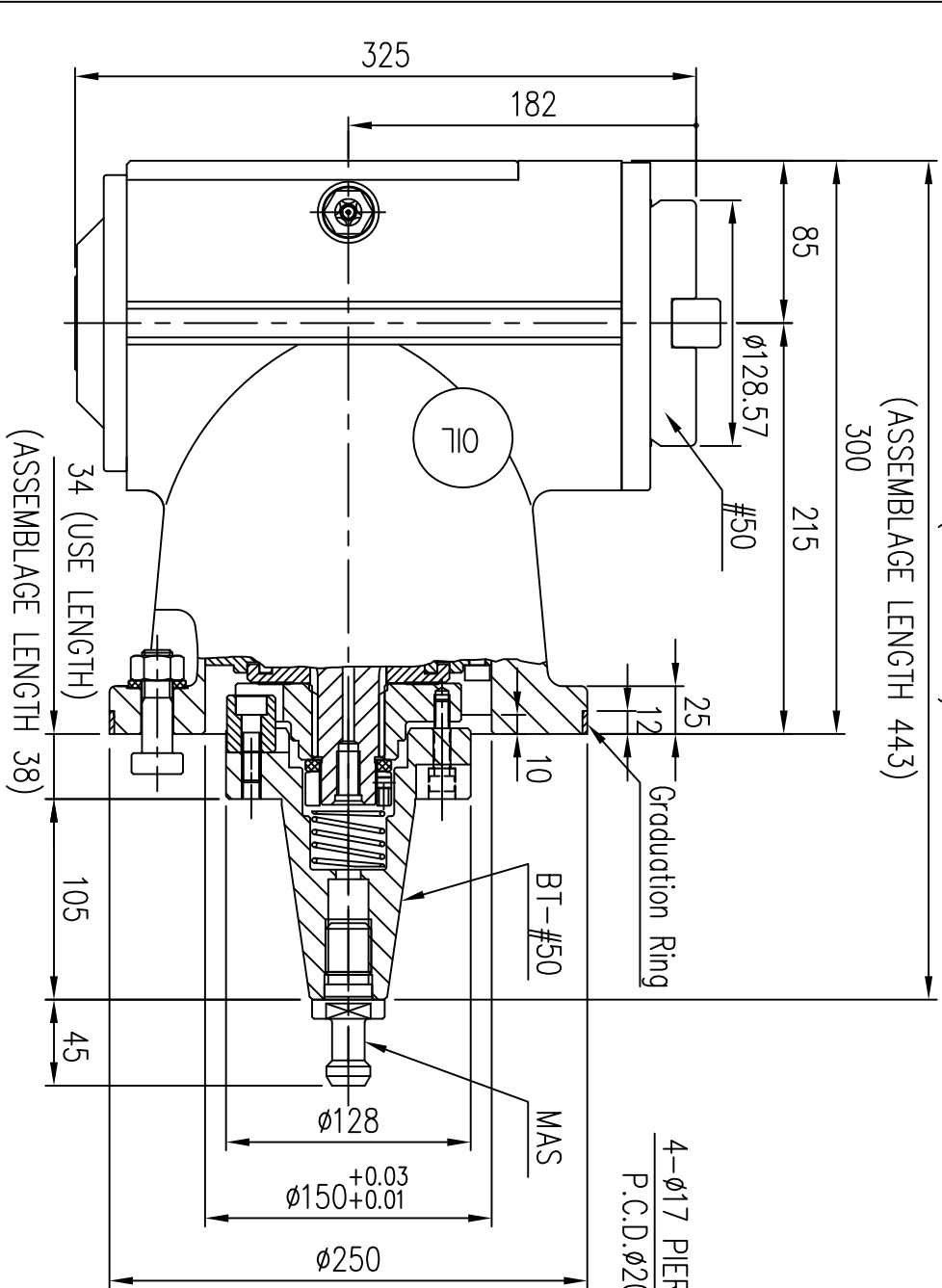
Pull Rod	BT(M24X3.0)
Select	NT(M24X3.0)
	NT(1")

439 (USE LENGTH)

(ASSEMBLAGE LENGTH 443)

300

34 (USE LENGTH)
(ASSEMBLAGE LENGTH 38)



N75ST-01(E)

Max Cutter Dia	φ150(6")
Reduction Ratio	1 : 1
Max Torque	1000N.m
Max Power	38kw
Max Revolving	2000rpm
Main Spindle Steering	Right Turn
Accessories :	"T"-Screw M16XP2.0X67L x4