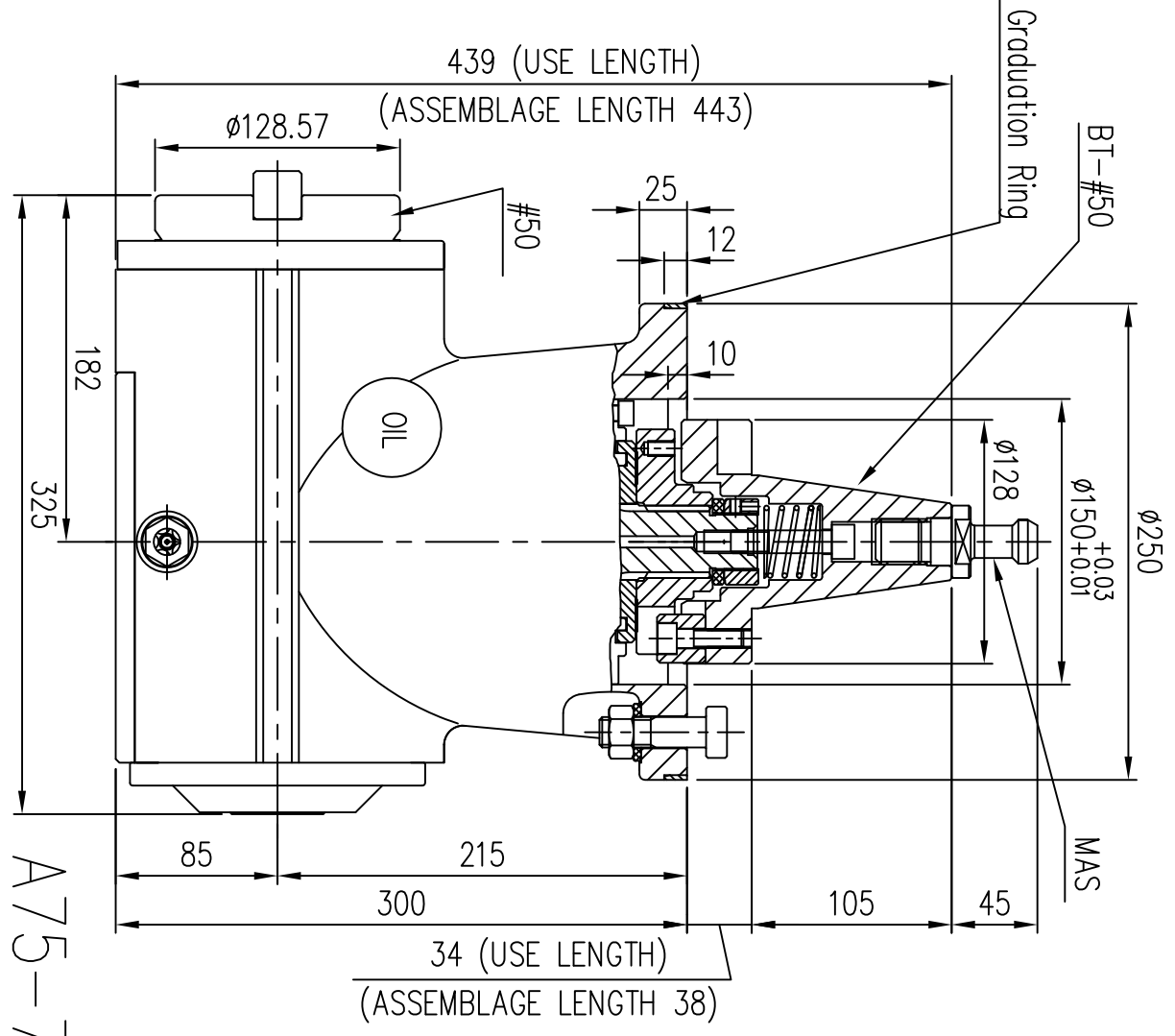
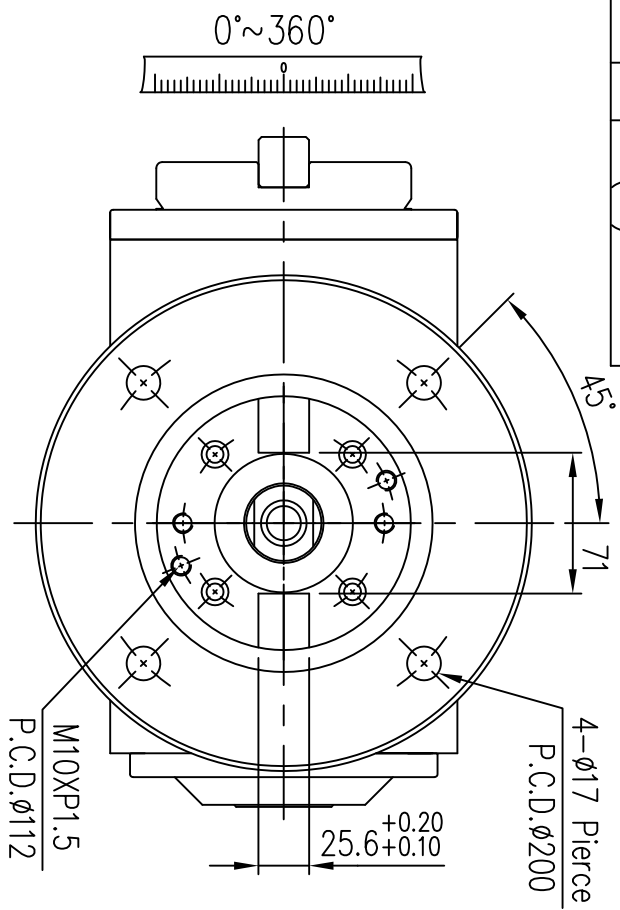


| | |
|-----------------------|-----------------------------|
| 加工精度 | |
| Max Cutter Dia | φ200(8") |
| Reduction Ratio | 1 : 1 |
| Max Torque | 1000Nm |
| Max Power | 38kw |
| Max Revolving | 800rpm |
| Main Spindle Steering | Right Turn |
| Accessories : | T-Screws X4 M16XP2.0X67L |
| Pull Stud | BT(M24X3.0) |
| Select | NT(M24X3.0) NT(1") |



A75-7(E)