

加工精度

Accessories : T-Screw  
M16XP2.0X67L X4

Pull Rod  
Select

BT(M24X3.0)  
NT(M24X3.0)  
NT(1")

Max Cutter Dia  $\phi 150(6")$

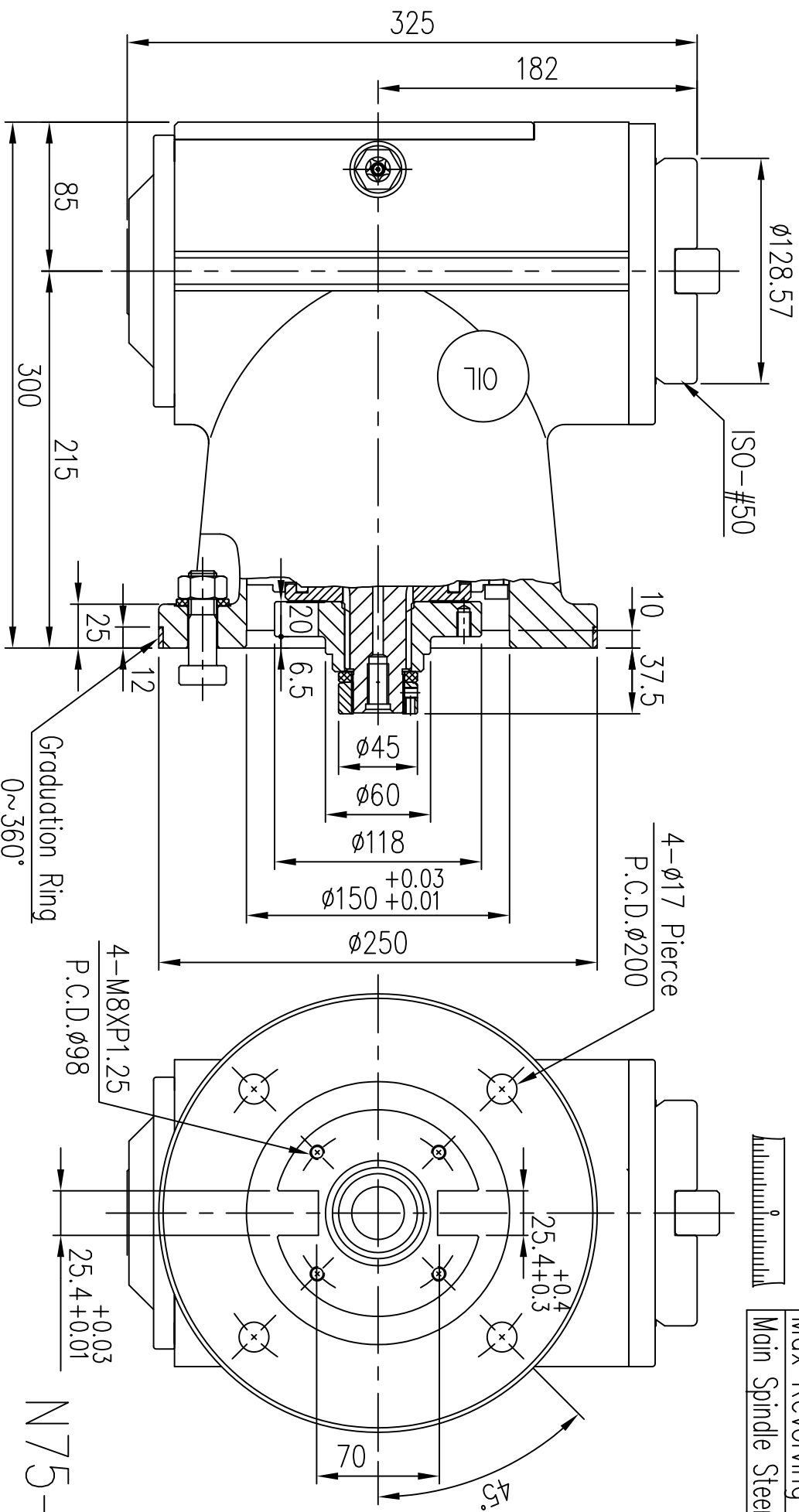
Reduction Ratio 1 : 1

Max Torque 1000N.m

Max Power 38kw

Max Revolving 2000rpm

Main Spindle Steering Right Turn



0~360°

BT(M24X3.0)  
NT(M24X3.0)  
NT(1")

N75-4C(E)