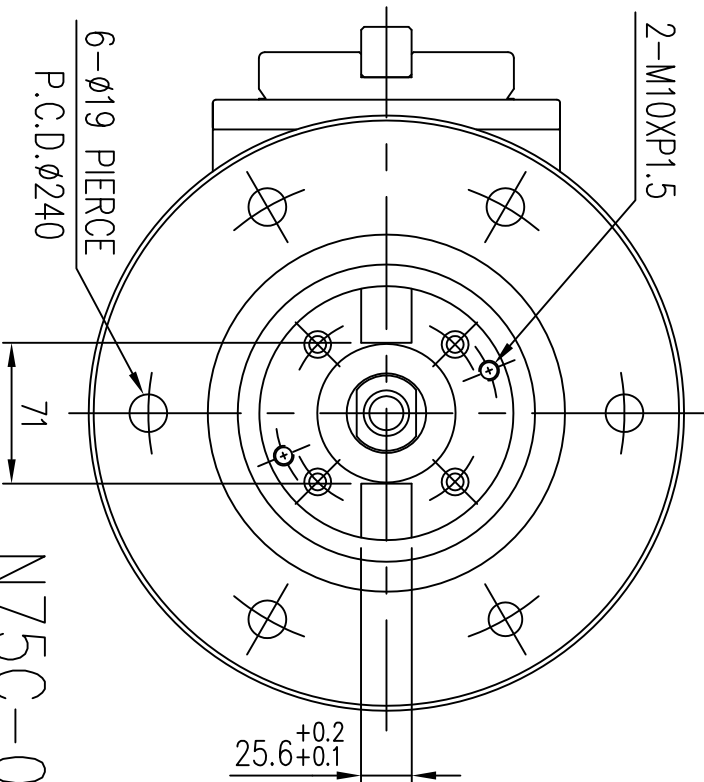
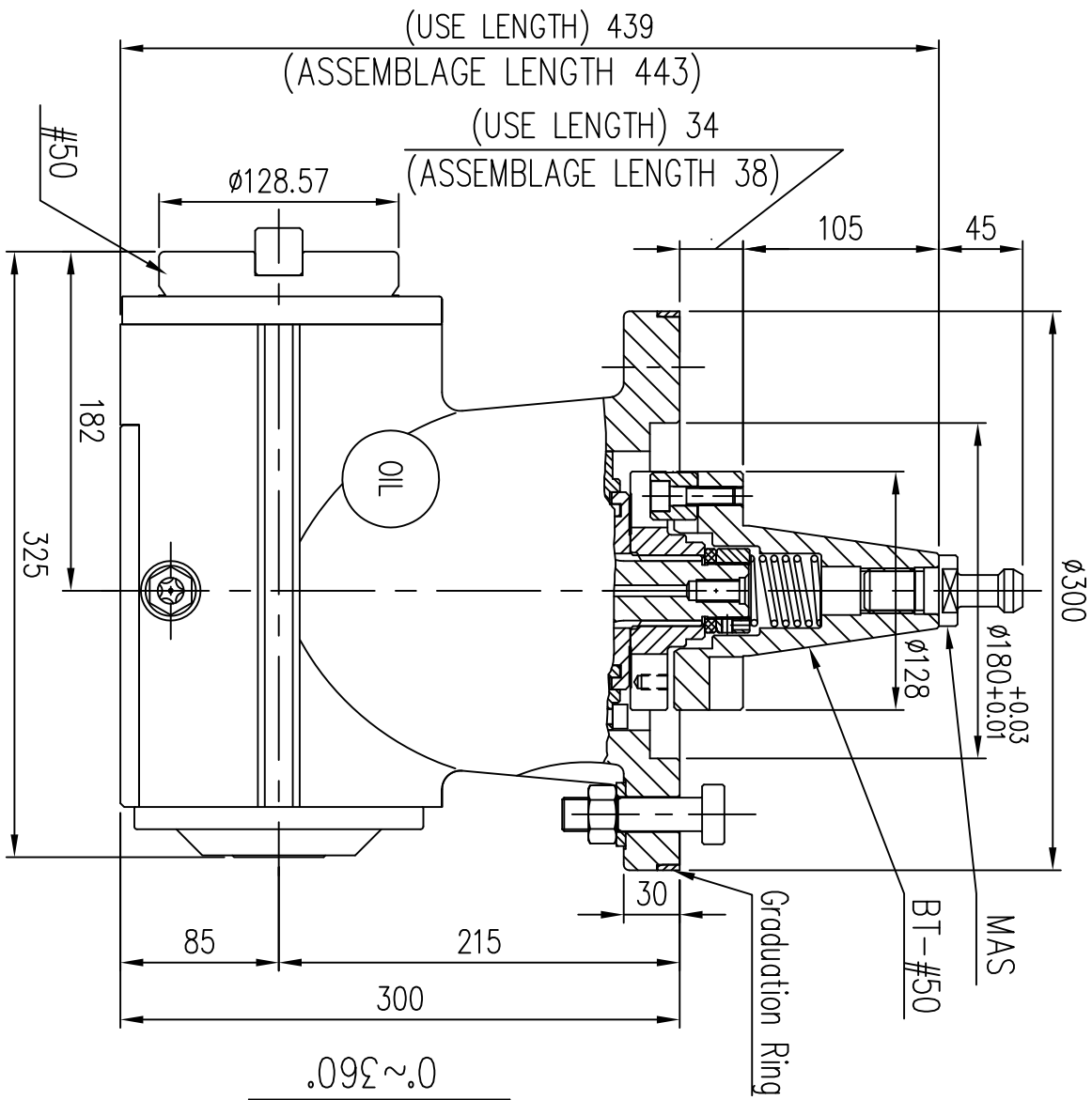


加工精度



N75C-07(E)

Pull Stud Select	BT(M24X3.0)
	NT(M24X3.0)
	NT(1")

Max Cutter Dia	φ150(6")
Reduction Ratio	1 : 1
Max Torque	1200 N.m
Max Power	38kw
Max Revolving	2000rpm
Main Spindle Steering	Right Turn
Accessories : T-Screws X6	
	M18XP2.5X87L