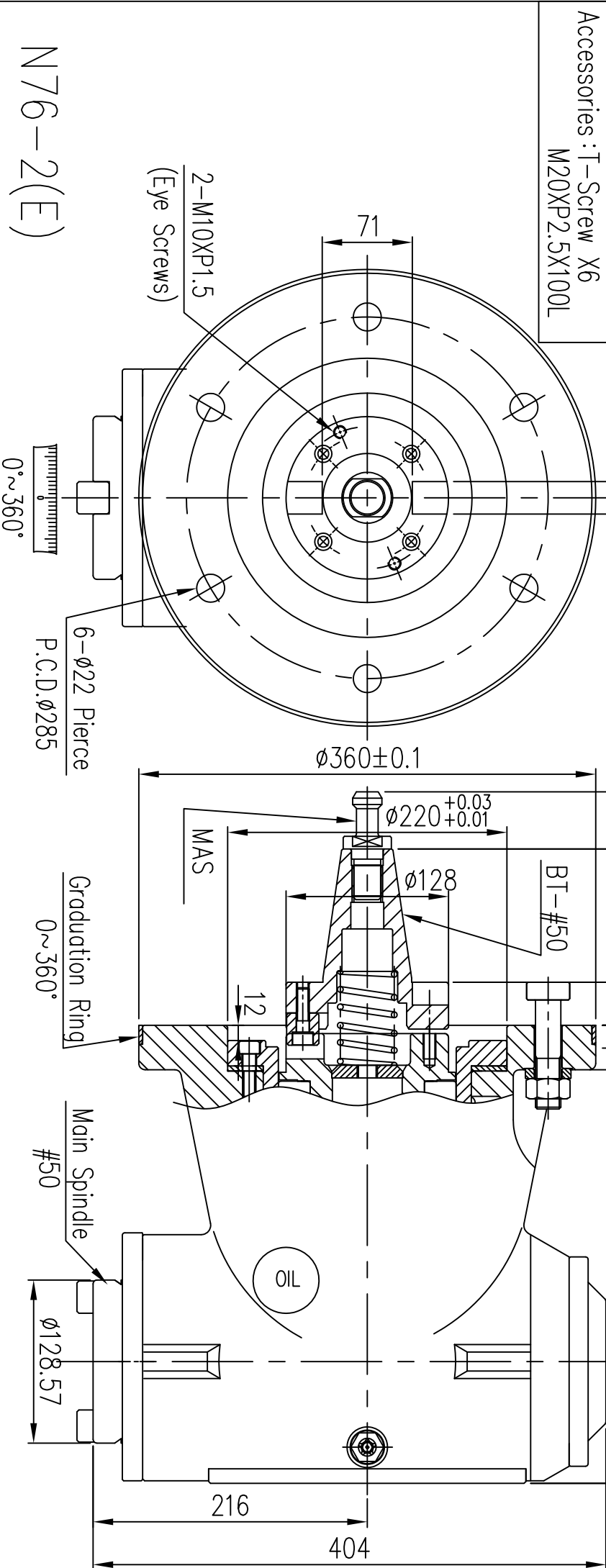


Pull Rod Select	BT(M24X3.0)
	NT(M24X3.0)
	NT(1")

加工精度	
Max Cutter Dia	φ200(8")
Reduction Ratio	1 : 1
Max Torque	2000N.m
Max Power	55kw
Max Revolving	2000rpm
Main Spindle Steering	Right Turn

Accessories : T-Screw X6
M20XP2.5X100L



N76-2(E)