

加工精度

Accessories : "T"-Screw x4  
M16XP2.5X67L

Pull Stud  
Select

BT(M24X3.0)  
NT(M24X3.0)  
NT(1")

Max Cutter Dia  $\phi 200(8")$

Reduction Ratio 1 : 1

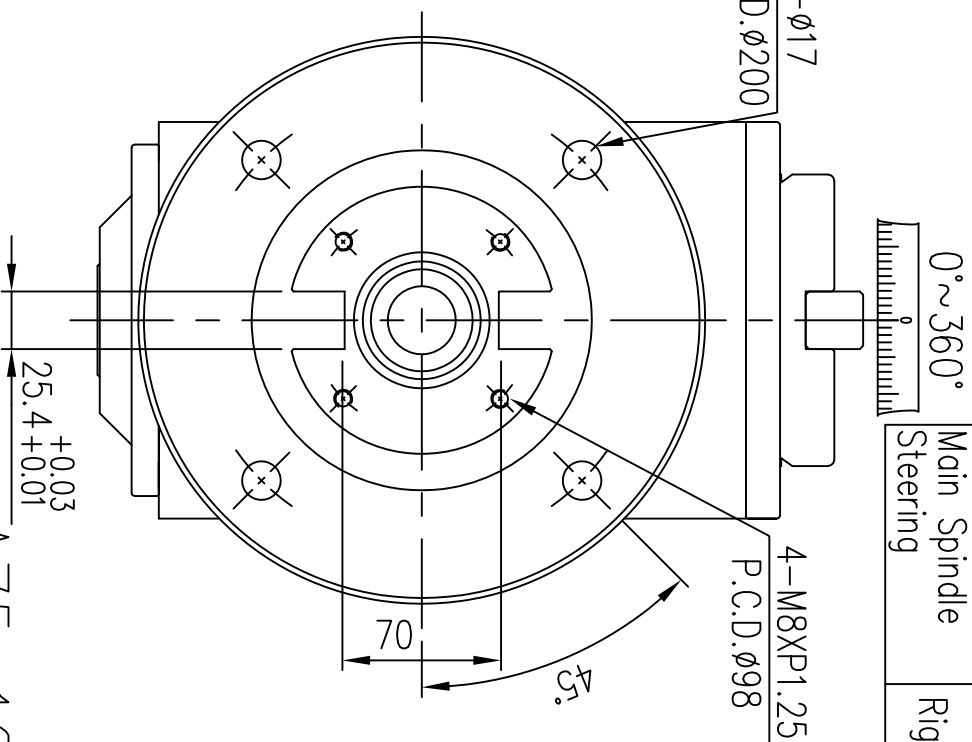
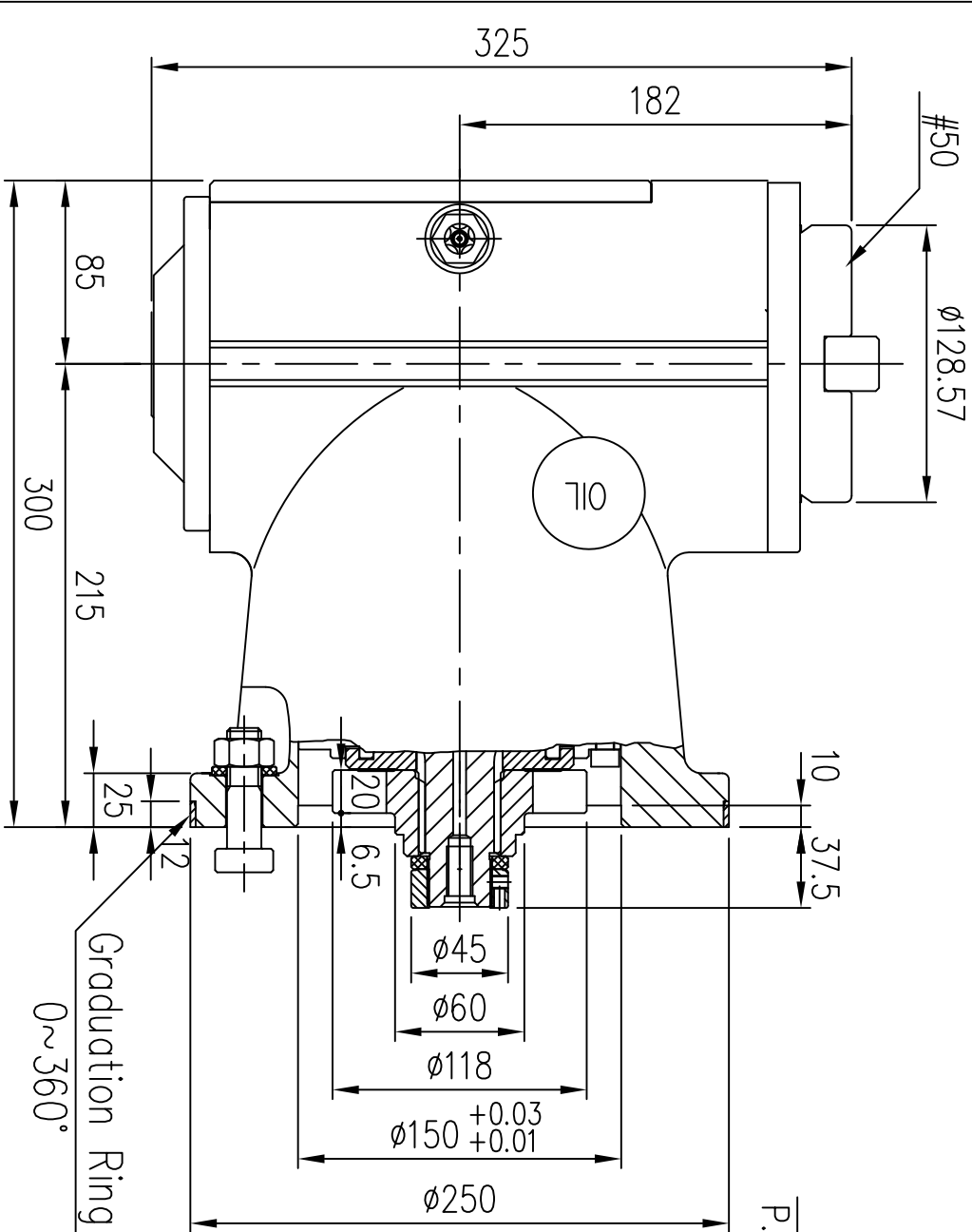
Max Torque 1000N.m

Max Power 38kw

Max Revolving 800rpm

Main Spindle Right Turn

Steering



A75-1C(E)