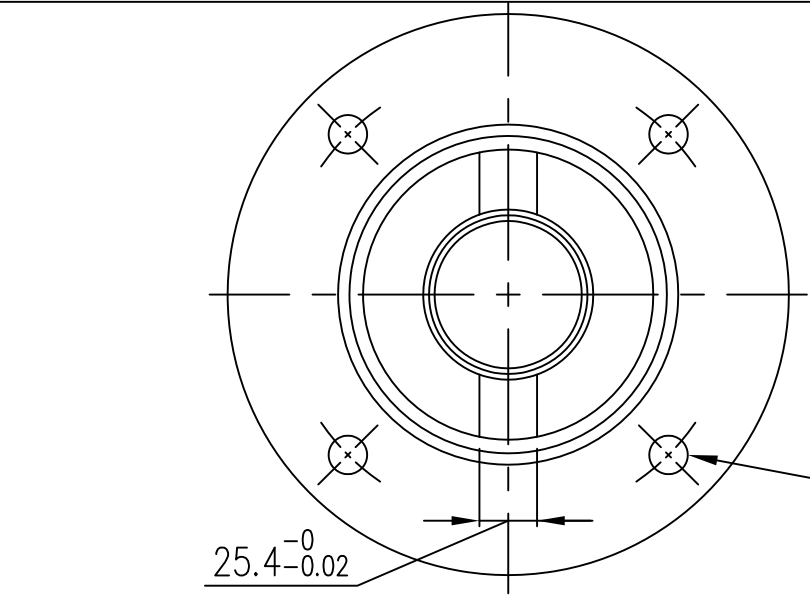
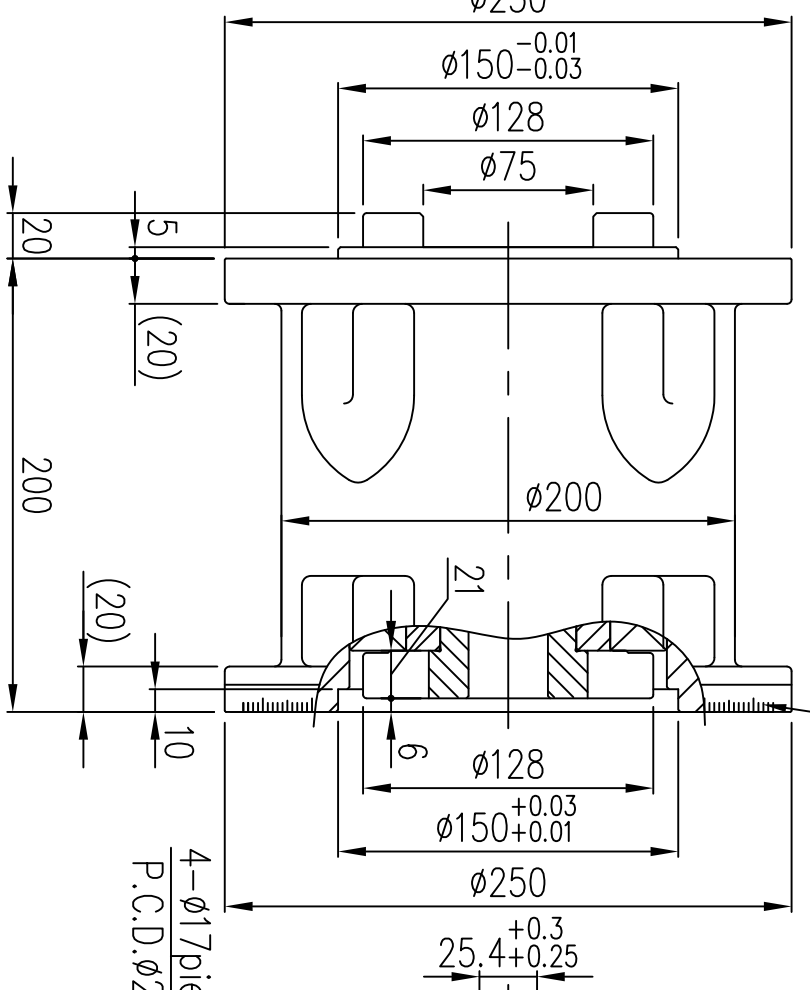


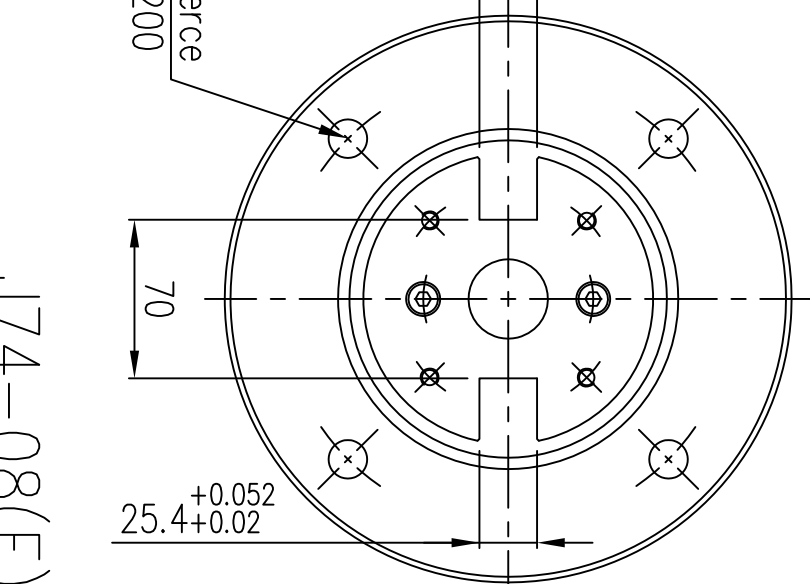
加工精度



4- $\phi 17$ pierce
P.C.D. $\phi 200$



Graduation RING
 $0^{\circ} \sim 360^{\circ}$



- Accessory :
- 1. T-screw M16XP2.0X67Lx4
 - 2. Hexagon screw M16XP2.0X75Lx8
 - 3. Washer x12
 - 4. Nut M16XP2.0 x8

J76
Max Revolving 2000rpm

J74-08(E)